

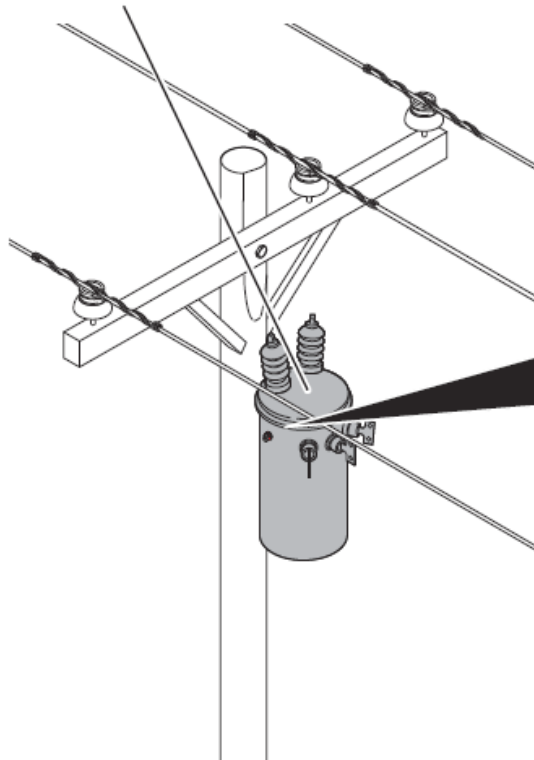
Installing IFD Equipped Transformers



Note: The pressure relief device (PRD) will operate to relieve excess static pressure with, or without a shipping lock installed.

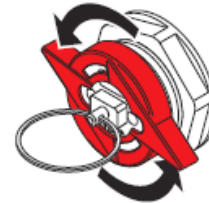
- 1** Install transformer onto pole per utility instructions.

- 2** Make electrical connections per utility instructions.

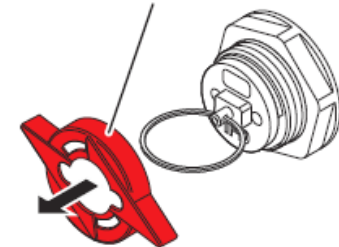


Remove Shipping Lock

- 3** Turn shipping lock 90° counter-clockwise.



- 4** Remove and retain shipping lock for future use on IFD equipped transformers.



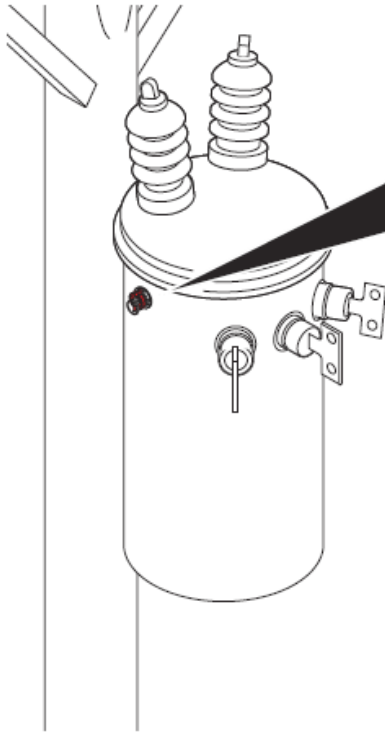
- 5** Energize transformer per utility instructions.

Removing IFD Equipped Transformers from Service



Note: The pressure relief device (PRD) will operate to relieve excess static pressure with, or without a shipping lock installed.

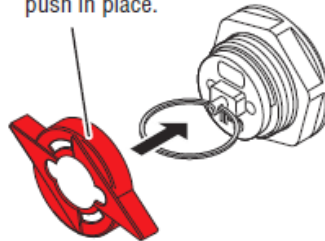
- 1** De-energize transformer per utility instructions.



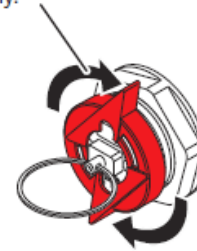
Install Shipping Lock

Note: The shipping lock prevents IFD from being activated when transformer is moved or transported.

- 2** Insert shipping lock:
 - Line up slot with pull ring.
 - Grasp tabs and push in place.



- 3** Turn tabs 90° clockwise to position tabs vertically.



- 4** Make sure:
 - Tabs are vertical
 - Shipping lock is fully engaged

- 5** Remove transformer from pole per utility instructions.

