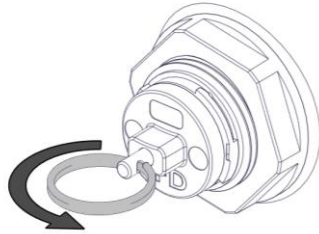


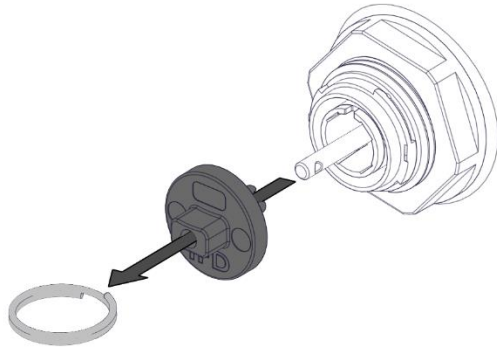
# Removing the PRV



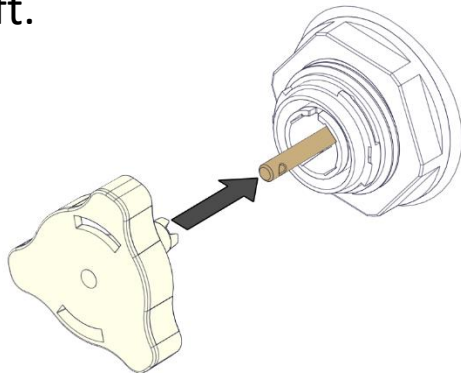
- 1 Unwind PRV pull ring and set aside.



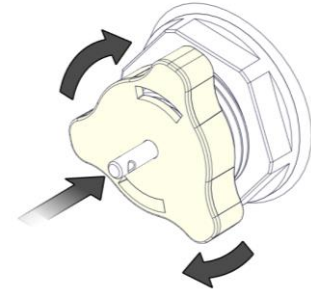
- 2 Remove dust cover and set aside.



- 3 Align temporary lock with PRV shaft.



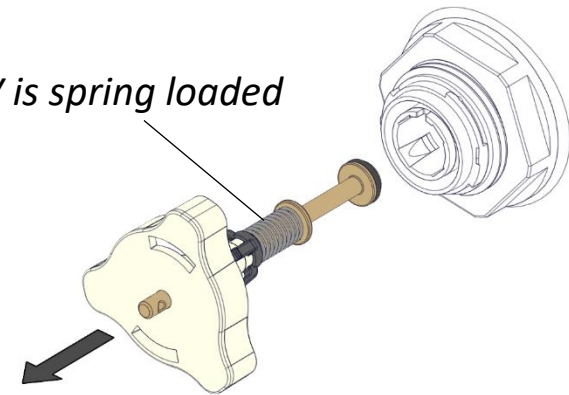
- 4 Push and rotate temporary lock 45° to disengage spring retainer.



- 5 Remove PRV shaft, spring retainer and PRV spring.



**Warning:** PRV is spring loaded



- 6 Re-assemble PRV.

